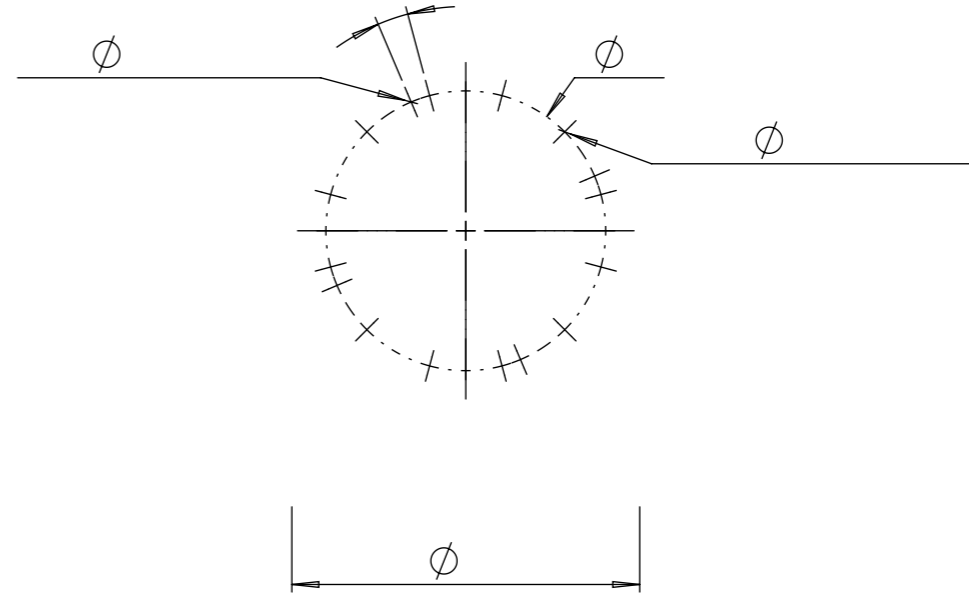
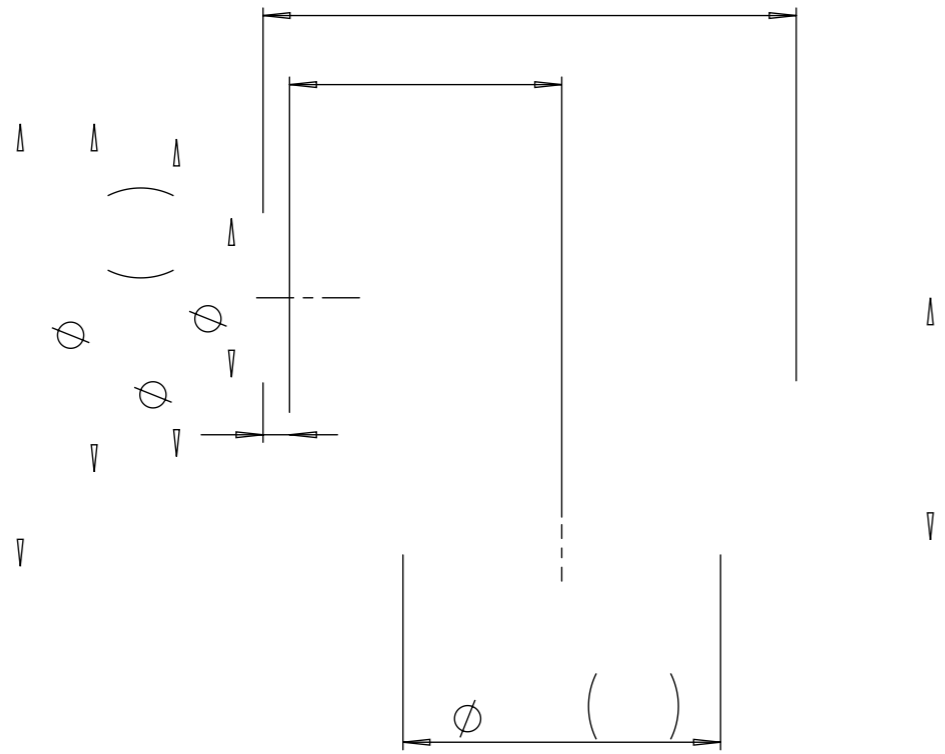
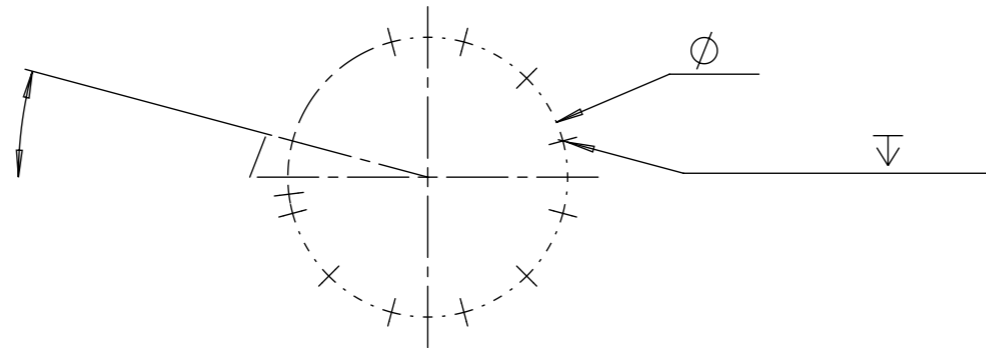


DU-117



Indel	Nr	ECN#	Initial	Date			
Original					Size	Mass	Scale
TPD Spec							
Reviewed					A3	1183.29	1:2
PE					1	1	REV
Approved							



A

B